

# NEW! HIGH FLOW 2-WAY N.C. 15 MM VALVES



## Specifications

**Medium:** Air, Gas, or other Compatible Fluids

**Working Pressure:** 0 to 43 psig/3.0 bar

**Maximum Flow Rate:** 120 l/min (4.3 scfm)

**Orifice:** 0.118" (3.0 mm)

**Material:** Stainless steel core and springs, nylon body, FKM seals, and Buna-N gasket. FKM gasket available, consult factory

**Response Time:** 10 ms when energized; 12 ms when de-energized

**Voltage:** 12-volt DC or 24-volt DC

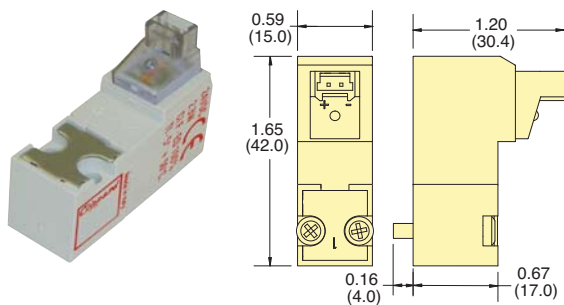
**Voltage Tolerance:** -5% to 10%

**Power Consumption:** 4.0 watts

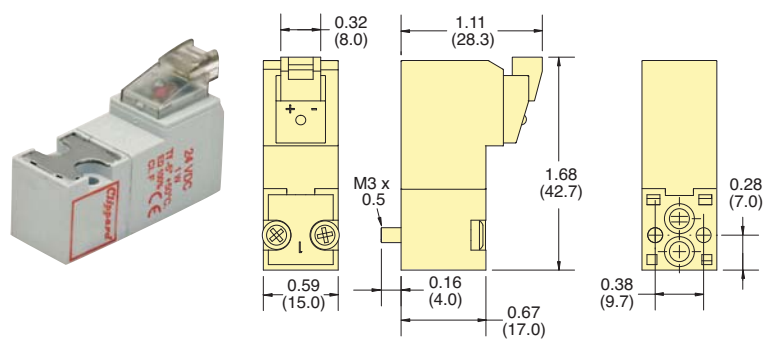
**Coil Insulation Class:** F 311°F (155°C)

**Temperature Range:** 23 to 122°F (-5 to 50°C)

### 90° Connector with LED

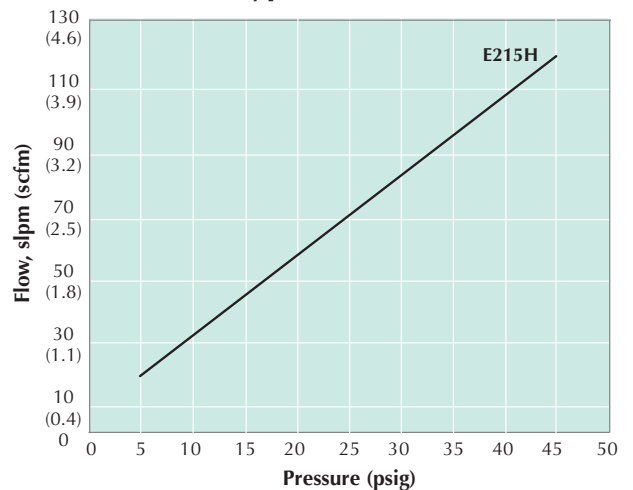


### In-Line Connector with LED

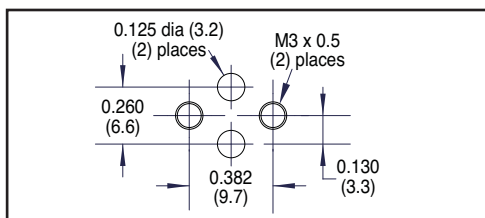


Part No.	Connector	Voltage
E215H-3L012	90° Connector	12 VDC
E215H-3L024	with LED	24 VDC
E215H-3C012	In-Line Connector	12 VDC
E215H-3C024	with LED	24 VDC

### Typical Air Flow

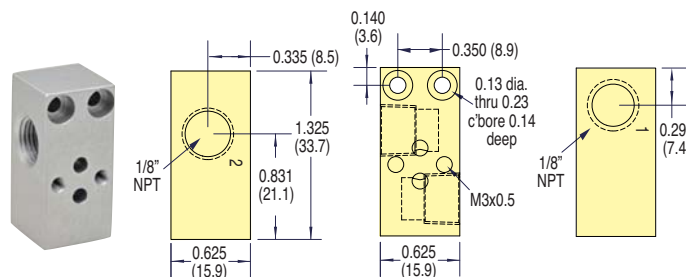


### Mounting Interface



### 15 mm High Flow Single-Station Manifold

Spare hardware and closing plates available. Add -M5 for metric ports.



**Part No.**  
E15HM-01 15 mm Single-Station Manifold

### Functional Schematics

